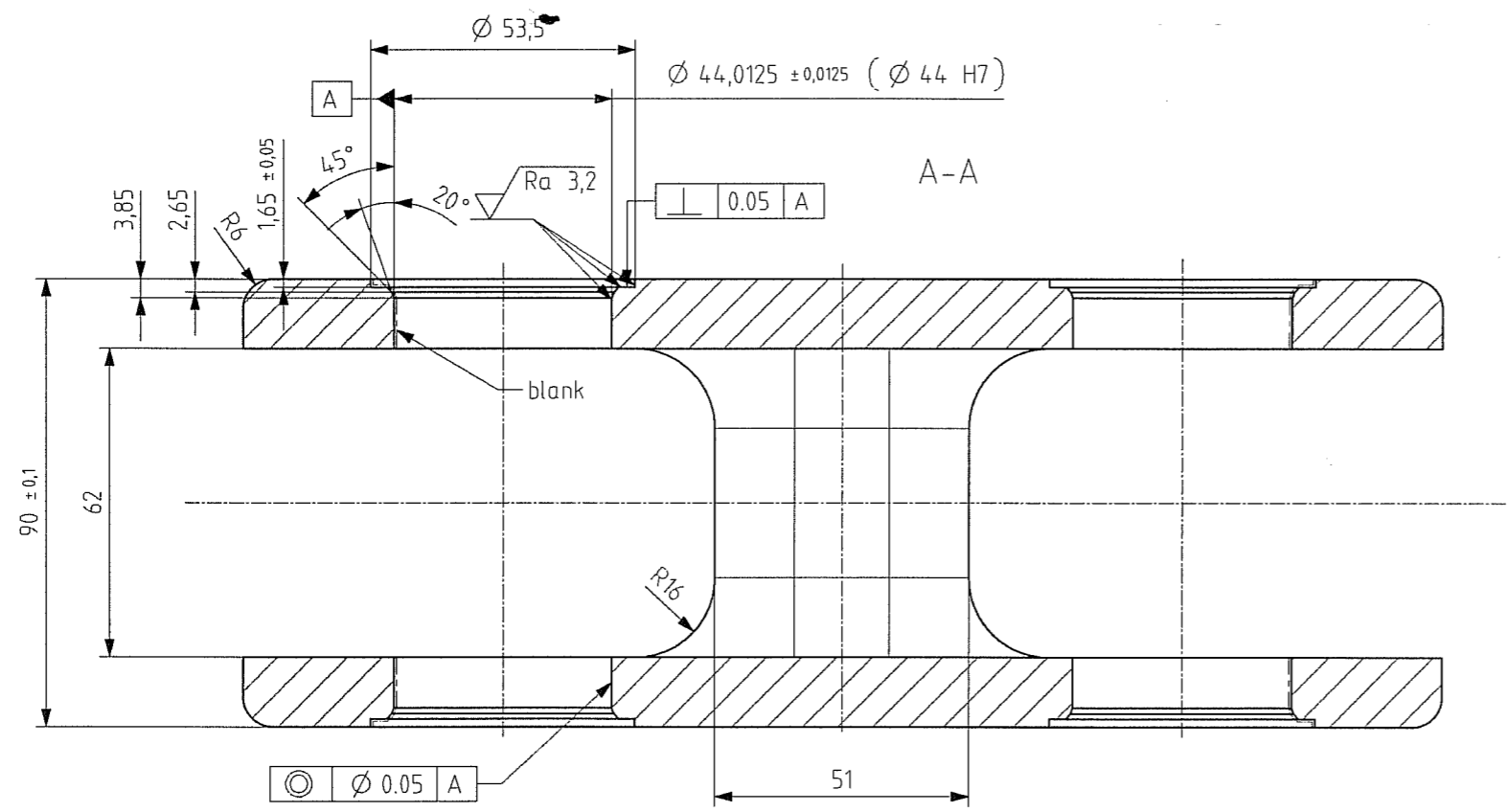
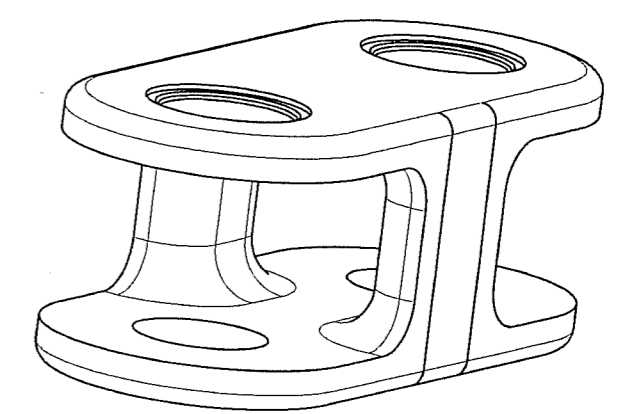
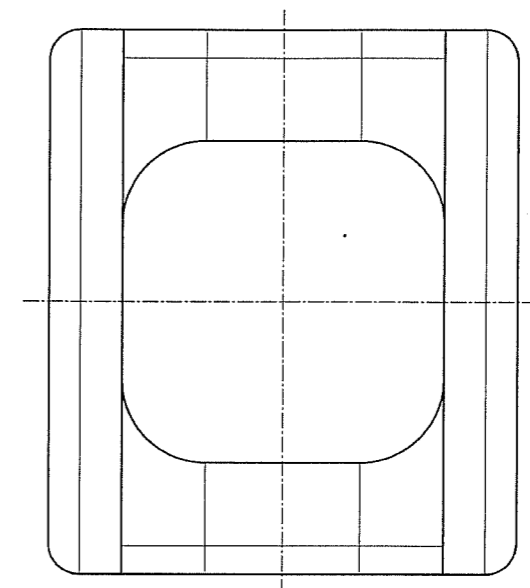
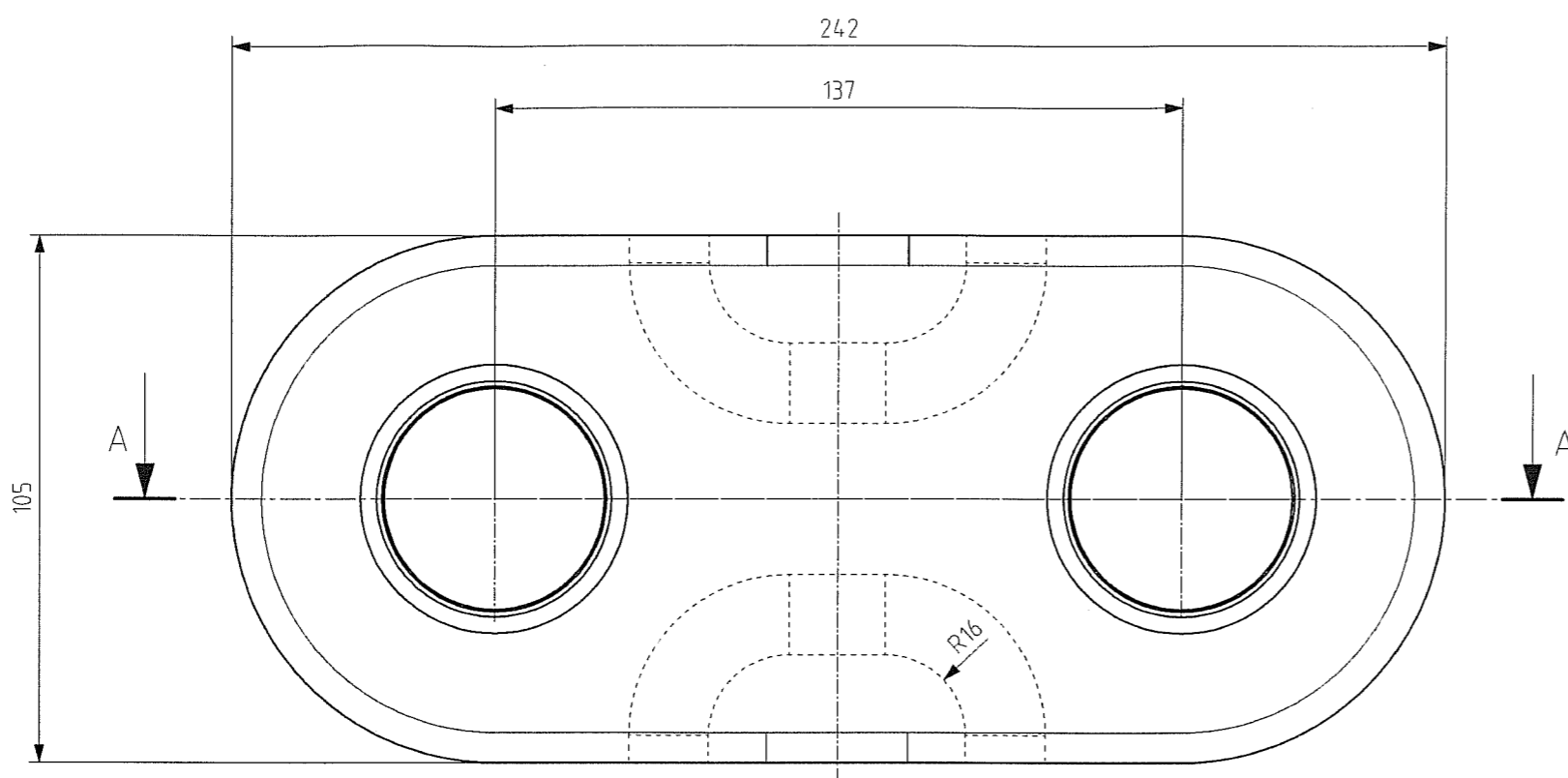
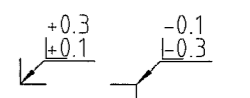
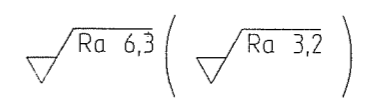


Refer to protection notice ISO 16016



farbgespritzt | M |-----blank



| | | | |
|-------------|--|----------------------------|----------|
| Change No. | Change Description | Date | Person |
| 1073659 | Seriefreigabe | 14.02.14 | F.Favri |
| Material | 1071B (TiSMnPb30) | Type of Material | Part |
| Blank | | Machine Type | |
| Weight | 5.40 kg | Subject Group | STD140 |
| Similar to | | ItemID (Doc.No.) | 10063573 |
| Scale | General Tolerance ISO 2768-mH | Description / Name | |
| 1:1 | General Welding Tolerance ISO 13920-AE | Tragarm Gelenkverbinder | |
| | General Casting Tolerance ISO 8062-CT9 | | |
| | Surface Texture ISO 1302 | | |
| Drawn by | 19.06.13 florian.favri | | |
| Released by | 17.02.14 D.Sommer | | |

0 50 100